

e-mail: serwis@techsterowniki.pl

phone: +48 33 875 93 80

ul. Skotnica 120, 32-652 Bulowice

Service:

ul. Biała Droga 31, 34-122 Wierpz

Central headquarters:



EN

USER'S MANUAL
EU-R-8 LED

TECH
CONTROLLERS

TECH
CONTROLLERS

WARRANTY CARD

TECH STEROWNIKI II Sp. z o.o. company ensures to the Buyer proper operation of the device for the period of 24 months from the date of sale. The Guarantor undertakes to repair the device free of charge if the defects occurred through the manufacturer's fault. The device should be delivered to its manufacturer. Principles of conduct in the case of a complaint are determined by the Act on specific terms and conditions of consumer sale and amendments of the Civil Code (Journal of Laws of 5 September 2002).

CAUTION! THE TEMPERATURE SENSOR CANNOT BE IMMERSSED IN ANY LIQUID (OIL ETC). THIS MAY RESULT IN DAMAGING THE CONTROLLER AND LOSS OF WARRANTY! THE ACCEPTABLE RELATIVE HUMIDITY OF THE CONTROLLER'S ENVIRONMENT IS 5÷85% REL.H. WITHOUT THE STEAM CONDENSATION EFFECT.

THE DEVICE IS NOT INTENDED TO BE OPERATED BY CHILDREN.

Activities related to setting and regulation of the controller parameters described in the Instruction Manual and parts wearing out during normal operation, such as fuses, are not covered by warranty repairs. The warranty does not cover damages arising as a result of improper operation or through the user's fault, mechanical damage or damage created as a result of fire, flood, atmospheric discharges, overvoltage or short-circuit. The interference of an unauthorized service, wilful repairs, modifications and construction changes cause the loss of Warranty. TECH controllers have protective seals. Removing a seal results in the loss of Warranty.

The costs of unjustifiable service call to a defect will be borne exclusively by the buyer. The unjustifiable service call is defined as a call to remove damages not resulting from the Guarantor's fault as well as a call considered unjustifiable by the service after diagnosing the device (e.g. damage of the equipment through the fault of the client or not subject to Warranty), or if the device defect occurred for reasons lying beyond the device.

In order to execute the rights arising from this Warranty, the user is obliged, at his own cost and risk, deliver the device to the Guarantor along with a correctly filled-in warranty card (containing in particular the sale date, the seller's signature and a description of the defect) and sales proof (receipt, VAT invoice, etc.). The Warranty Card is the only basis for repair free of charge. The complaint repair time is 14 days.

When the Warranty Card is lost or damaged, the manufacturer does not issue a duplicate.

.....
seller's stamp

.....
date of sale

SAFETY

Before using the device for the first time the user should read the following regulations carefully. Not obeying the rules included in this manual may lead to personal injuries or controller damage. The user's manual should be stored in a safe place for further reference. In order to avoid accidents and errors it should be ensured that every person using the device has familiarized themselves with the principle of operation as well as security functions of the controller. If the device is to be sold or put in a different place, make sure that the user's manual is there with the device so that any potential user has access to essential information about the device.

The manufacturer does not accept responsibility for any injuries or damage resulting from negligence; therefore, users are obliged to take the necessary safety measures listed in this manual to protect their lives and property.

! WARNING

- The regulator is not intended to be used by children.
- Any use other than specified by the manufacturer is forbidden.
- The device should be installed by a qualified person.
- Before carrying out any operations related to the power supply (connecting cables, installing the device, etc.), make sure that the DEVICE IS NOT CONNECTED TO THE MAINS!
- It is recommended to periodically check the condition of the device.



We are committed to protecting the environment. Manufacturing electronic devices imposes an obligation of providing for environmentally safe disposal of used electronic components and devices. Hence, we have been entered into a register kept by the Inspection For Environmental Protection. The crossed-out bin symbol on a product means that the product may not be disposed of to household waste containers. Recycling of wastes helps to protect the environment. The user is obliged to transfer their used equipment to a collection point where all electric and electronic components.

TECHNICAL DATA

Power supply	230V ± 10% / 50Hz
Max. power consumption	0,5W
Humidity measurement range	10-95% RH
Room temp. adjustment range	5÷35°C
Operation temperature	5÷50°C
Frequency	868MHz

EU DECLARATION OF CONFORMITY

Hereby, we declare under our sole responsibility that **EU-R-8 LED** manufactured by TECH STEROWNIKI II Sp. z o.o., head-quartered in Wierpz Biała Droga 31, 34-122 Wierpz, is compliant with Directive 2014/53/EU of the European parliament and of the Council of 16 April 2014 on the harmonisation of the laws of the Member States relating to the making available on the market of radio equipment, Directive 2009/125/EC establishing a framework for the setting of ecodesign requirements for energy-related products as well as the regulation by the MINISTRY OF ENTREPRENEURSHIP AND TECHNOLOGY of 24 June 2019 amending the regulation concerning the essential requirements as regards the restriction of the use of certain hazardous substances in electrical and electronic equipment, implementing provisions of Directive (EU) 2017/2102 of the European Parliament and of the Council of 15 November 2017 amending Directive 2011/65/EU on the restriction of the use of certain hazardous substances in electrical and electronic equipment (OJ L 305, 21.11.2017, p. 8).

For compliance assessment, harmonized standards were used:
PN-EN IEC 60730-2-9 :2019-06 art. 3.1a Safety of use
PN-EN 62479:2011 art. 3.1 a Safety of use
ETSI EN 301 489-1 V2.2.3 (2019-11) art.3.1b Electromagnetic compatibility
ETSI EN 301 489-3 V2.1.1:2019-03 art.3.1 b Electromagnetic compatibility
ETSI EN 300 220-2 V3.2.1 (2018-06) art.3.2 Effective and coherent use of radio spectrum
ETSI EN 300 220-1 V3.1.1 (2017-02) art.3.2 Effective and coherent use of radio spectrum
PN EN IEC 63000:2019-01 RoHS

Wierpz, 04.04.2024


Paweł Jura

Janusz Master
Prezesa firmy

1

DESCRIPTION

The EU-R-8 LED room regulator is designed to control the heating device. It cooperates with zone controllers communicating wirelessly with them. The regulator is designed to maintain the set temperature in the room by sending a signal to the heating device with information about reaching the set temperature value.

The current temperature is displayed on the display in real time. By pressing  the middle Menu button, you can switch the display between the room temperature, current time (after registering with the main controller) and humidity.

A „---“ displayed on the screen indicates a faulty sensor.

The regulator, enables you to change the set temperature in the zone permanently or with a time limit.

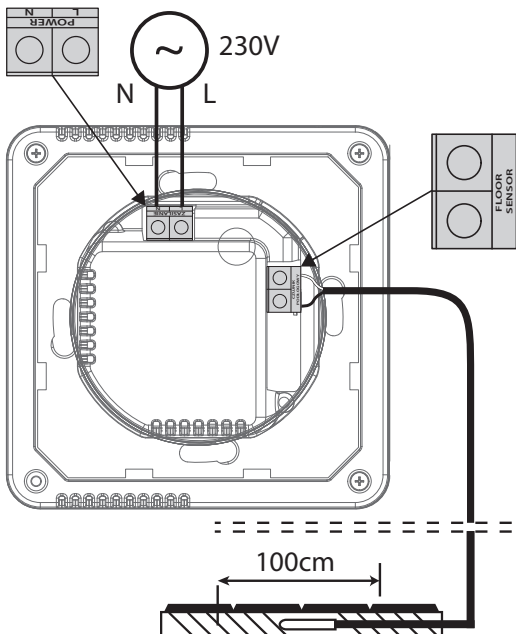
Regulator equipment:

- built-in temperature sensor (option of registering an additional sensor)
- air humidity sensor
- floor sensor (optional)

3

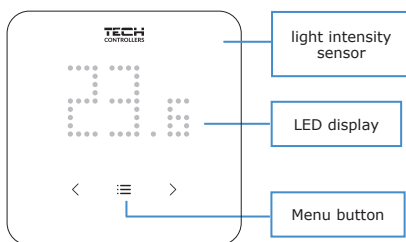
INSTALLATION

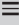
Power supply and floor sensor connection diagram:



2

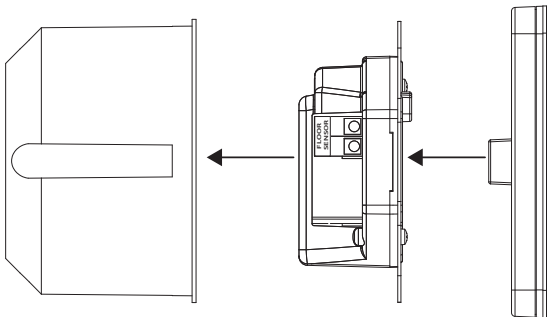
REGULATOR OPERATION



LED display	 Menu button
current temperature, time (after registering with the main controller), humidity	- pressing - changes the preview from the room temperature, time or humidity, it also approves the settings - holding - enters the Menu
<> button	
- changes the set temperature (at the screen with the current temperature)	- toggles between Menu items - unlocks the buttons (hold both buttons at the same time)

4

Installation of individual parts of the regulator:



6

Registration rules:

- The registered regulator can be removed or disabled at the board by disabling the "ON" option in the submenu of the zone.

- Attempt to register the regulator in a zone where another regulator is already registered will deregister the first one and register the second.

- Attempt to register a regulator that is already registered in another zone will deregister it from the first zone and register it in the new zone.

For every room regulator assigned to a specific zone, you can set a separate temperature preset and weekly schedule. Changing these settings can be made both in the board menu and in the emodul.eu application (after applying the module).

5

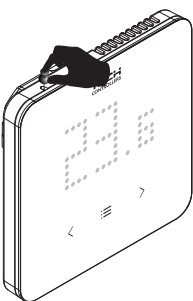
REGULATOR REGISTRATION

The room regulator must be registered in a specific zone.

From the main controller menu, select **Zones > Registration > Room Sensor > Wireless** or **Fitter's menu > Zones > Registration > Room sensor > Wireless**:

1. briefly press the registration button on the room regulator
- or
2. select the function No. 7 **Registration** in the Regulator Menu and press the Menu button.

After the registration process has been successfully completed, a relevant message will appear on the bar display, and in the controller display showing "Registered" or "Registration failed" in the case of failed registration.



CAUTION

- Only one room regulator can be assigned to one zone.
- The regulator can act as a floor sensor. To do this, connect the NTC sensor to the regulator, select the **Zone > Floor Heating > Floor Sensor** function in the respective zone in the main controller and register by double-clicking the registration button (the second click once the registration animation appears). The controller will display the appropriate message whether the registration was successful.

7

PRE-SET TEMPERATURE

From the temperature screen, you can change the setpoint value using the <> buttons. After confirming with the Menu button, the time setting options will appear:

- **0-24H** (for a specified time) - press the <> button until the desired number of hours of applicability of preset temperature is displayed, e.g.: 1h (the preset temperature will apply for 1 hour, and then the previously selected setting will apply: schedule or the Con constant temperature mode). Select "0H" to return to the previously selected setting (schedule or constant temperature). Press the Menu button to confirm the setting.

- **CON** (constant) - press the > button until **CON** is displayed (the preset temperature will apply permanently, regardless of schedule settings). Press the Menu button to confirm the setting.

- **OFF** (time setting disabled) - press < button repeatedly until **OFF** is displayed (the temperature preset of the weekly schedule will apply). Press the Menu button to confirm the setting.

8

MENU FUNCTIONS

Holding the Menu button - enters the regulator menu.

The <> buttons navigate between individual menu items.

Pressing the Menu button - confirms the settings.

1. Sensor - Press the Menu and Registration button to register the additional wireless sensor, and then briefly press the registration button on the sensor. The controller will display the appropriate message whether the registration was successful. After registering the sensor, there will be options to view the battery and signal levels and the option to delete the sensor.

2. Calibration - Press the Menu button to view the sensor calibration.

3. Lock - press the Menu button and select YES/NO - to activate/deactivate the button lock. Press the Menu button to confirm the setting. To unlock the buttons, **hold down the <> buttons at the same time** until the temperature or humidity display appears.

4. Screen - Press the Menu button to adjust the screen to your needs

Backlight:

- **Automatic mode** - the regulator has a built-in light intensity sensor, so it adjusts the backlight automatically

- **Constant mode** - the option to manually set the backlight intensity

Animations: (YES/NO) - the option to enable/disable animations on the main screen

5. Factory settings - Press the Menu button and select YES to restore the factory settings. Press the Menu button to confirm the setting. After restoring the factory settings, it will be necessary to re-register the controller with the main controller.

6. Language - Press the Menu button and select the language version. Press the Menu button to confirm the setting.

7. Registration - registration of the regulator with the main controller. Select the Registration function in the main controller, then the Registration function in the room regulator and press the Menu button. The room regulator and the controller will display the message confirming whether the registration was successful.

8. Service menu - the function is available only to authorized persons and is code protected.

9. Version - Press the Menu button to view the software version number. This number will be required when contacting the service.

10. Exit - Press the Menu button to exit the regulator menu.